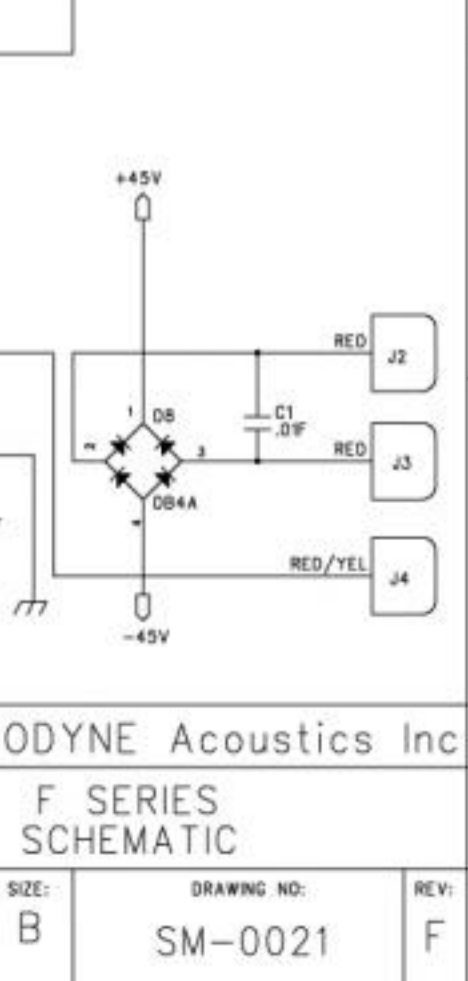
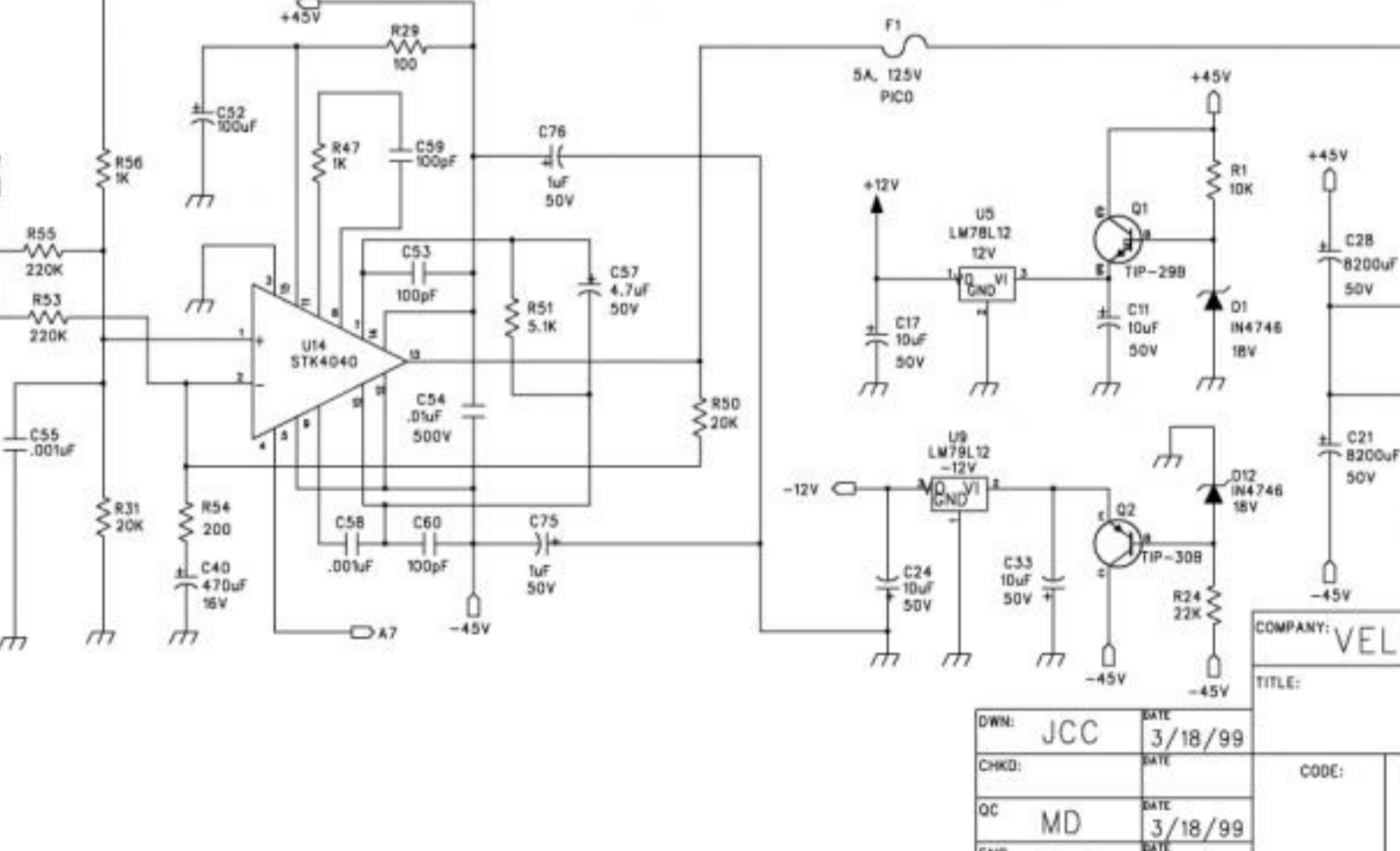
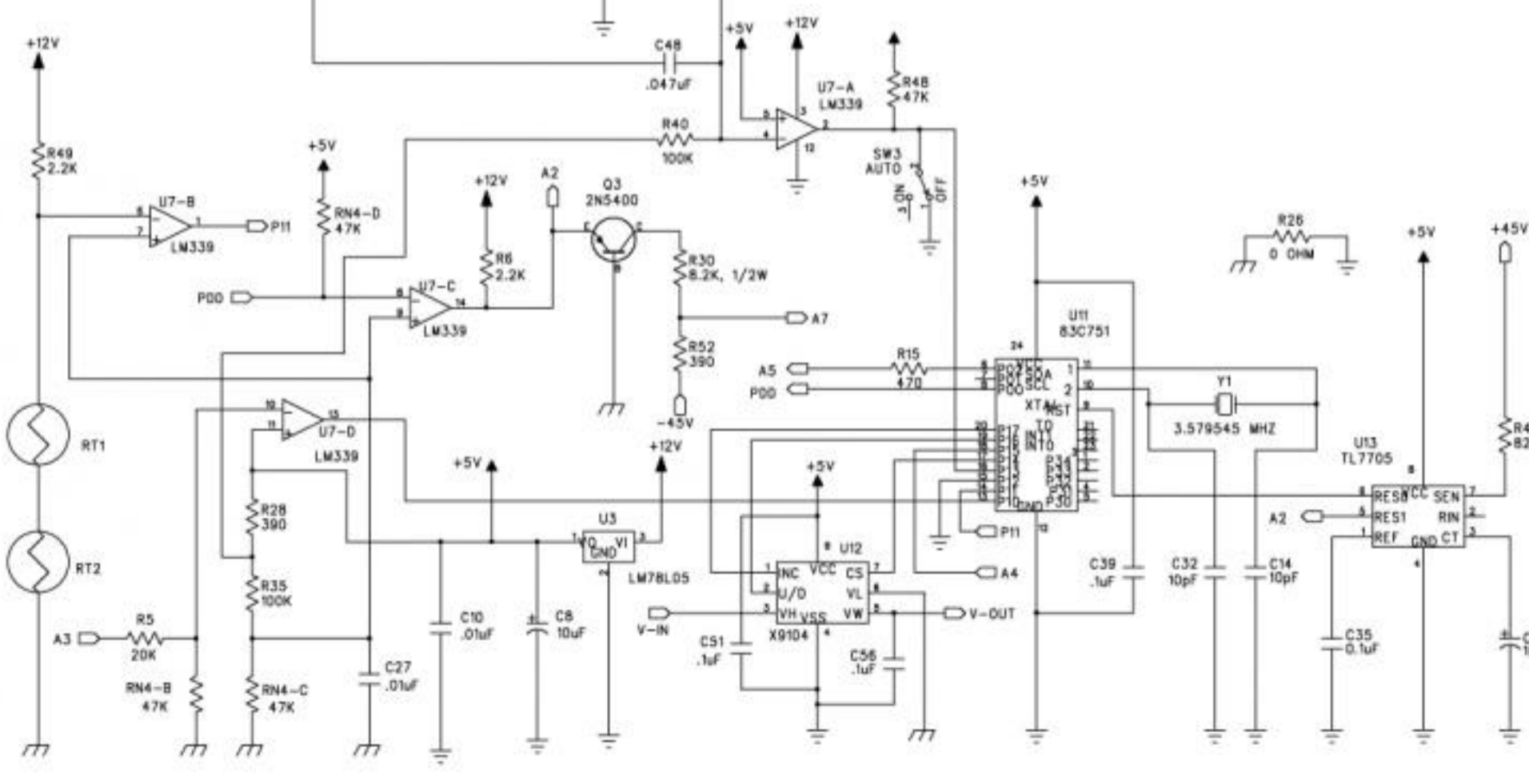
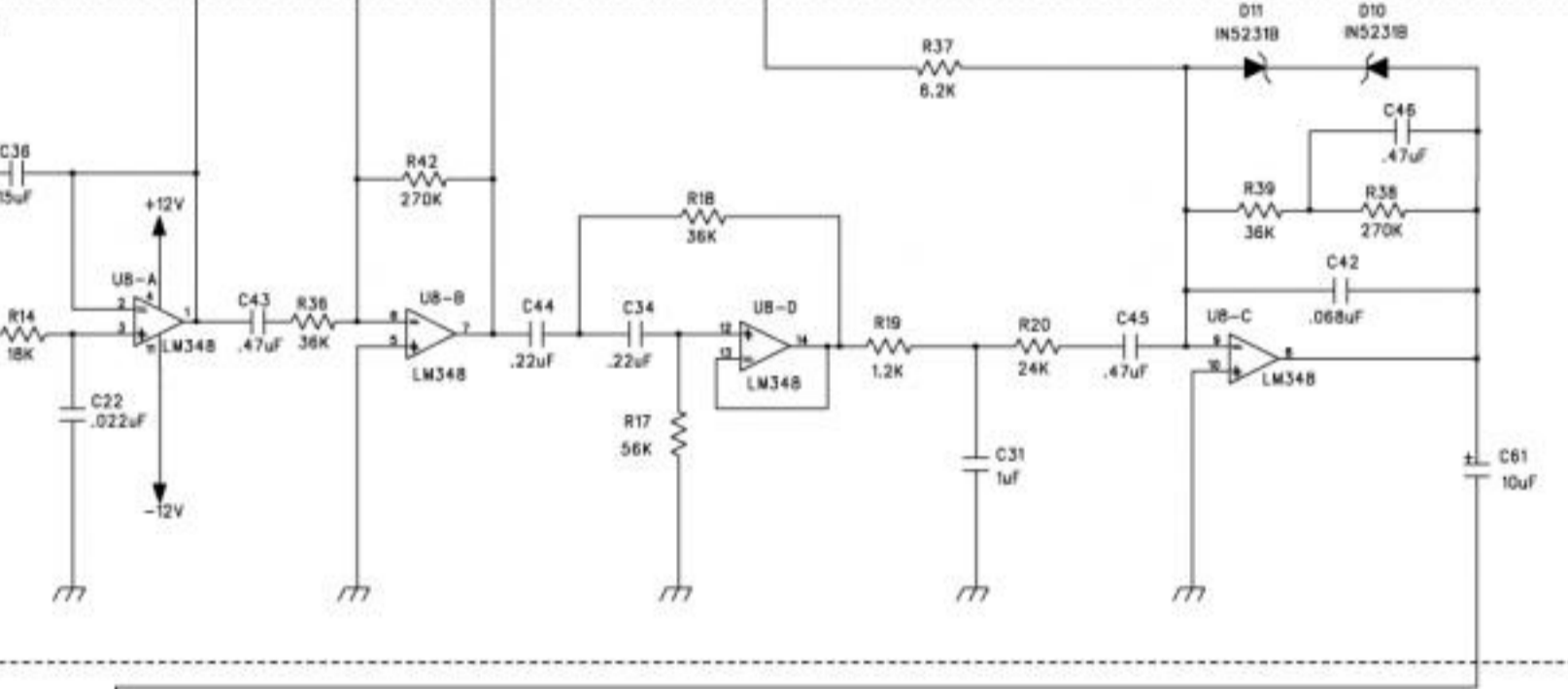
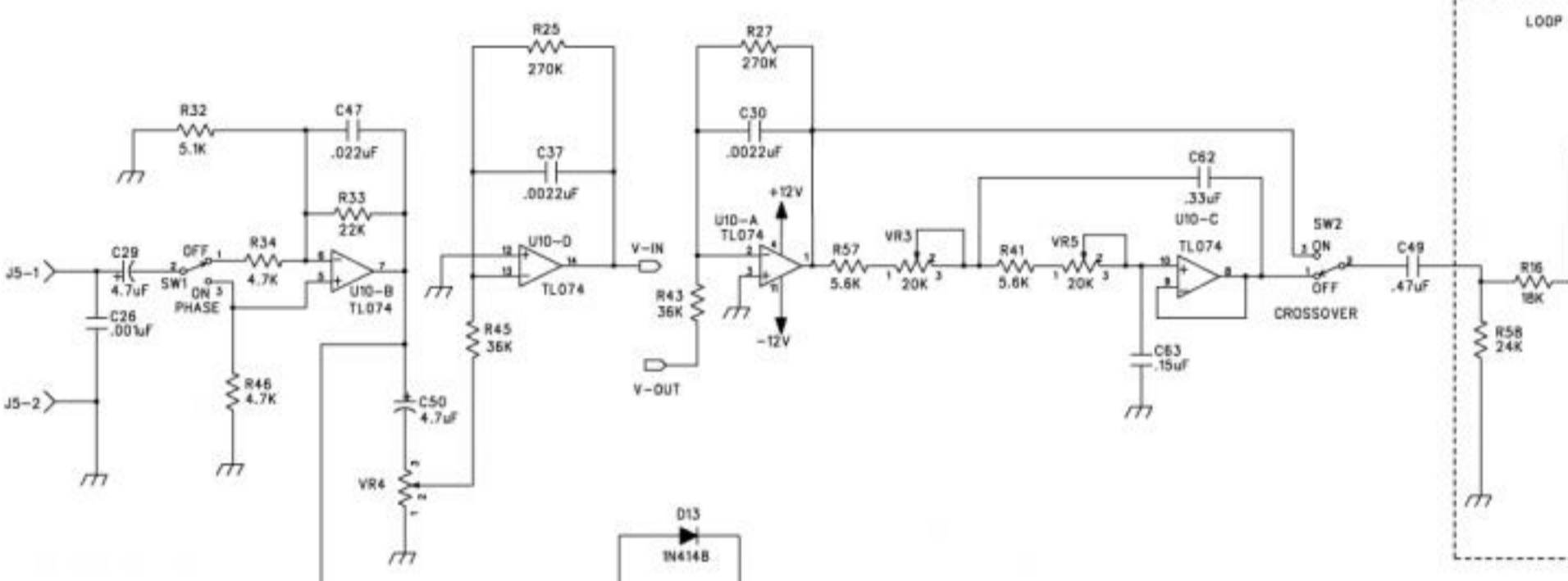
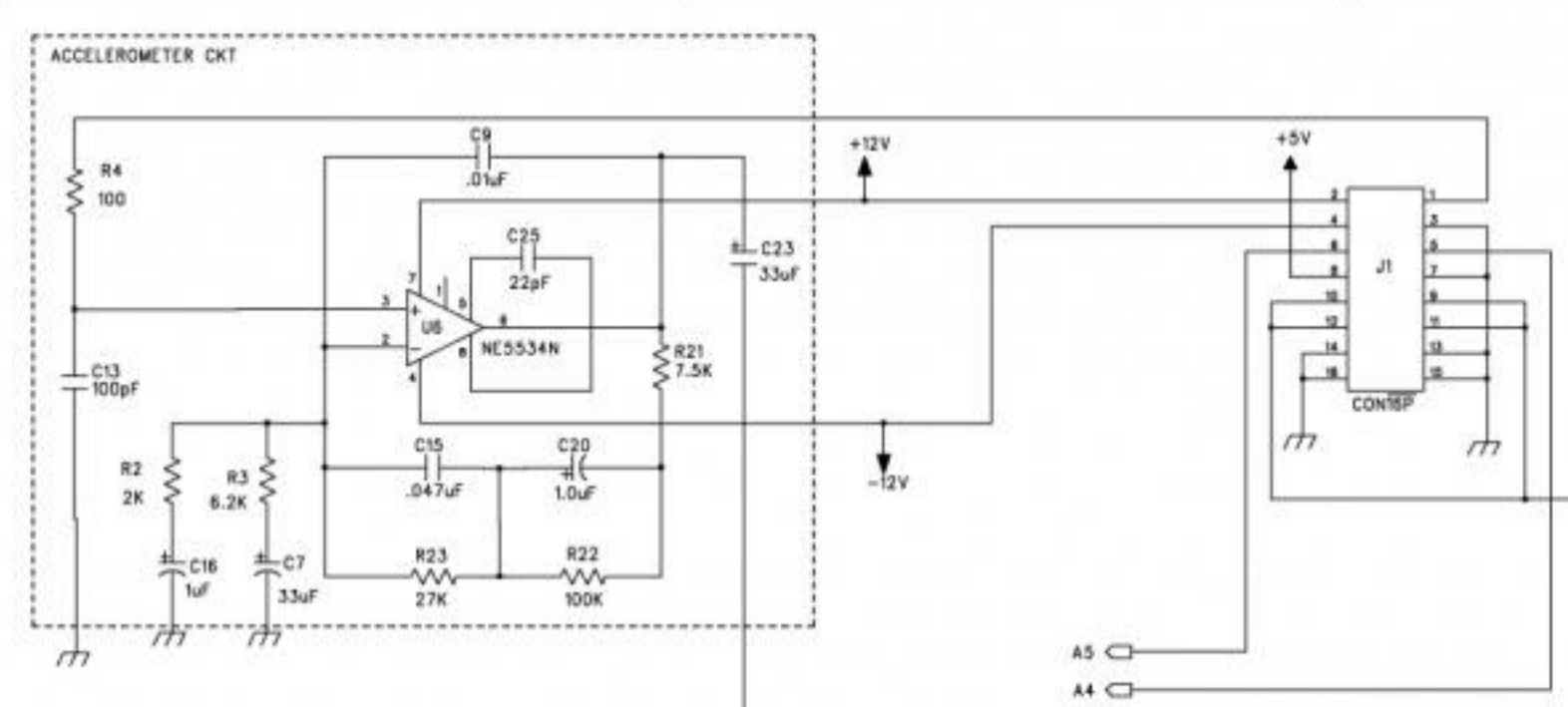
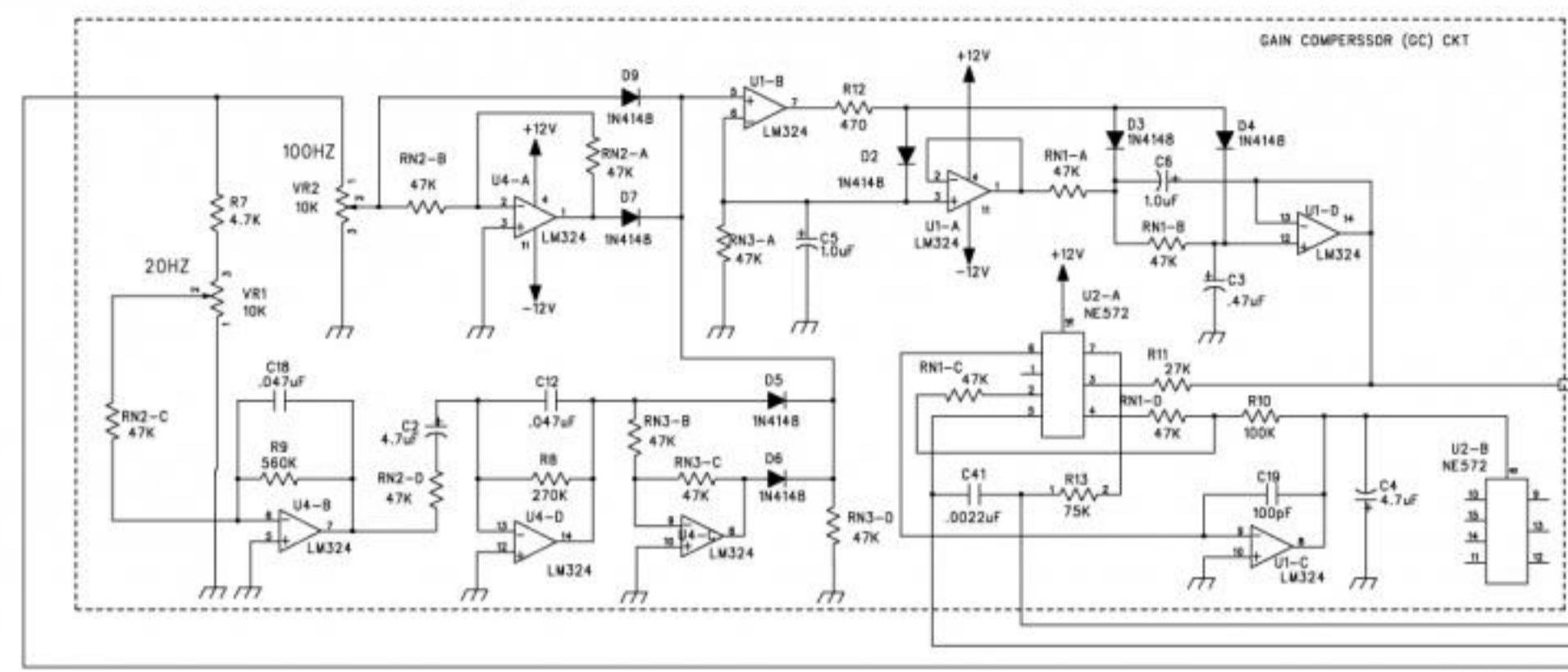


| REVISION RECORD |             |     |          |
|-----------------|-------------|-----|----------|
| REV             | DESCRIPTION | ENG | DATE     |
| A               | RELEASED    | RWB | 10/10/96 |
| B               | ECN 515     | WHK | 10/29/96 |
| C               | ECN 524     | RWB | 12/31/96 |
| D               | ECN 620     | WHK | 9/4/97   |
| E               | ECN 735     | RWB | 5/20/98  |
| F               | ECN 827     | RWB | 3/19/99  |



COMPANY: VELODYNE Acoustics Inc  
 TITLE: F SERIES SCHEMATIC

|          |               |             |                    |                     |        |
|----------|---------------|-------------|--------------------|---------------------|--------|
| DWN: JCC | DATE: 3/18/99 | CODE: B     | SIZE: B            | DRAWING NO: SM-0021 | REV: F |
| CHKD: MD | DATE: 3/18/99 | SCALE: NONE | FILE: sm0021rf.sch | SHEET: 1 OF 1       |        |
| ENG: RWB | DATE: 3/18/99 |             |                    |                     |        |